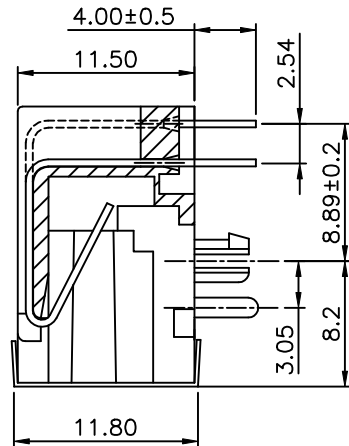
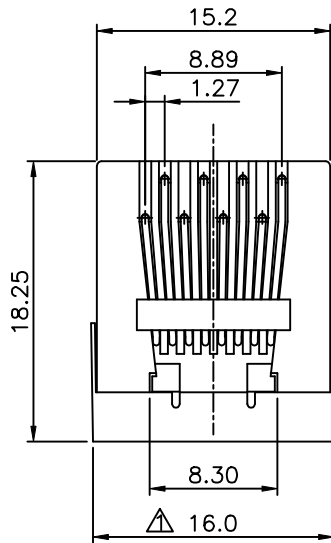
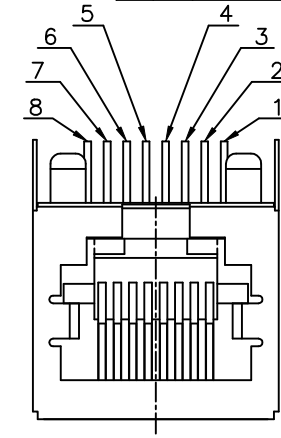
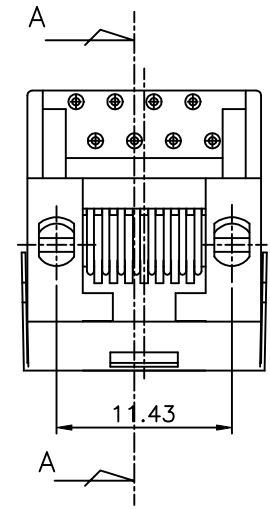


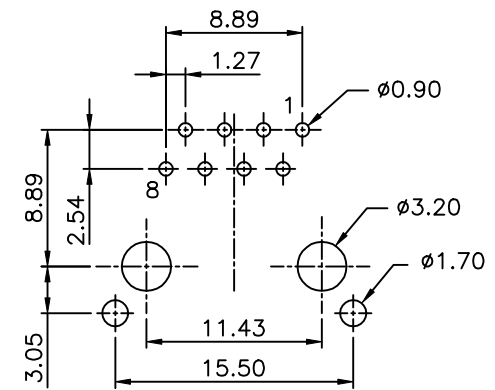
| REVISION RECORD | | | | |
|-----------------|-----|---------------|-------------------|------|
| REV | ECO | DESCRIPTION | DRFT | CHKD |
| △ | | 16.0 WAS 15.7 | RACHEL 4/20/99 | |
| △ | | NOTES MODIFY | Among 11/08/04 | |



SECTION A-A



W/O KEY



PC Board Layout
Component Side Shown

NOTES:

ELECTRICAL:

- VOLTAGE RATING: 125 VAC RMS.
- CURRENT RATING: 1.5 AMP.
- CONTACT RESISTANCE: 30 MINIOHMS MAX.
- INSULATION RESISTANCE: 1000 MEGOHMS MIN @ 500 VDC.
- DIELECTRIC STRENGTH: 1000 VAC RMS 60Hz, 1MIN.

MECHANICAL:

- HOUSING MATERIAL: UL 94V-0 BLACK NYLON RATED TO 260°C.
- CONTACT MATERIAL: PHOSPHOR BRONZE. ø0.46mm.
- PLATING: : GOLD PLATING OVER NICKEL.
- OPERATING LIFE: 750 CYCLES MIN.
- PCB RETENTION PRE-SOLDER: 1 LB MIN.
- PCB RETENTION POST-SOLDER: 10 LBS MIN.

ENVIRONMENTAL:

- STORAGE: -40°C TO +85°C.
 - OPERATION: -40°C TO +85°C.
- MATES WITH MODULAR PLUG CONFORMING TO FCC PART 68, SUBPART F.
CUL FILE NO. E163191
PART NUMBER: E5388-8X027X

- 3- TIN
- 4- NICKEL
- 1-3u" 2-6u" 3-15u"
- 4-30u" 5-50u" 6-Pd20u"

| | | | | |
|--|----------|--|--|-------------------------|
| ← MM (INCH) → TOLERANCES EXCEPT AS NOTED | | DFTO JAMIE DATE 9/11/97 CHKD MAMM DATE 2004/11/17 MFO DATE APPVLUSHND DATE 2004/11/17 | FULL RISE ELECTRONIC CO., LTD | |
| DEPARTED LISTS MM ± .0 ±0.20 ± .00 ±0.15 ± .000 ±0.075 ± | ANGLES ± | MATERIAL : QT'Y : FINISH : | TITLE 90° VERY L/P FRONT SHIELDED PCB JACK 8P | |
| THIRD ANGLE PROJECTION | | SCALE : 3:1 | DRAWING NO. GE533008 /PART NO. SEE NOTE | SIZE A3 REV 11/08/04 |
| DO NOT SCALE DRAWING | | | SHEET X OF Y | A |